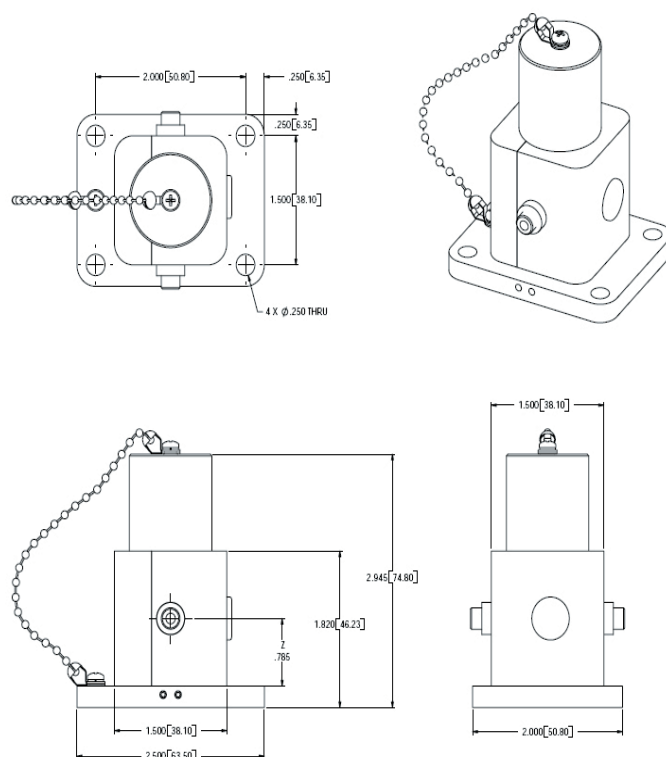


# BCH100A

## Fiber Coupled Cuvette Holder



BCH100A series cuvette sample holders are designed for fiber optic illumination/detection coupling, and ease of sample handling. It holds a standard 10 x 10 mm cuvette for analytical applications. The cuvette sample holder provides SMA 905 fiber coupler and is ideal for use with BTC100 series CCD spectrometers and BPS100 series constant photo intensity tungsten light sources.



### Highlights

- Fiber Coupled
- 3 or 4 port options available
- Compact

### Specifications

Number of ports:	Two standard and three optional
Port geometry:	Straight through for two port configuration 90° for the third port option
Fiber coupler:	SMA 905
Path length:	10 mm
Cuvette size:	12.5 x 12.5 mm
Optics wavelength range:	200 - 1100 nm
Fiber light coupling:	SMA 905