

## BCH100A Fiber Coupled Cuvette Holder



BCH100A series cuvette sample holders are designed for fiber optic illumination/detection coupling and ease of sample handling. It holds a standard 12.5 x 12.5 mm cuvette for liquid or powder sample transmittance and absorbance with proper spectrometer and light source setup. The cuvette sample holder provides 2 or 3 (optional) SMA 905 fiber couplers and is ideal for use with B&W Tek's BRC and BTC series array spectrometers together with BPS and BDS series fiber light sources. The standard configuration comes with two ports (straight through) with optional third port for right angle (with respect to the illuminations) detections for fluorescence applications.

### Specifications:

Number of ports:	Two standard and three optional
Port geometry:	Straight through for two port configuration 90° for the optional third port
Path length:	Max. 10mm
Cuvette size:	12.5 x 12.5mm
Sampling beam size:	5.5mm diameter
Sampling beam center height:	15.6mm
Wavelength Spectral Range:	190 - 2100 nm
Fiber light coupling:	Two SMA 905
Operating Temperature	0 - 70°C
Humidity Range	0 - 85% RH Non Condensing

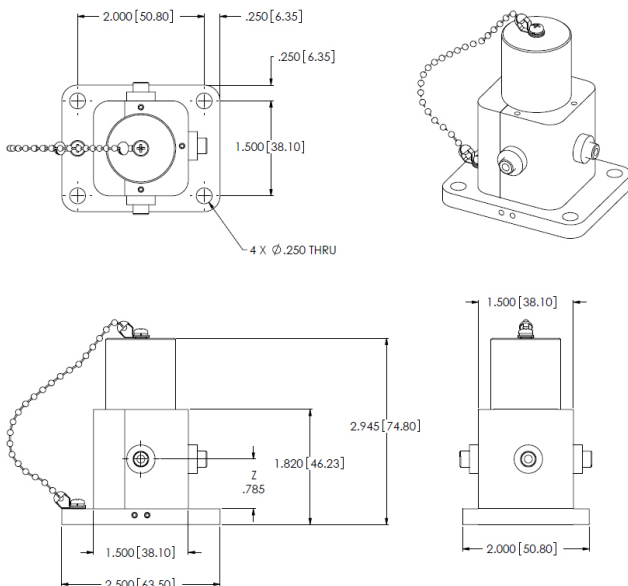
### Highlight:

- Fiber Coupled
- 3 port option available
- Compact
- Mounting Holes
- Spring-loaded Cuvette Holder

### Applications:

- Absorbance
- Transmittance
- Fluorescence

### Dimensions (inches):



### Transmission / Absorption Experiment Setup

