

Raman Accessory BAC100 Raman Probe



The BAC100 Raman Probe is designed for use with B&W Tek, Inc. Raman Systems. This probe comes standard with many of our Raman systems and can be purchased separately as a spare/replacement probe. A distance regulator comes with every probe and is designed to come in contact with solid samples and prevents contaminants from coming in contact with the lens. The BAC100 has two standard designs for 532nm and 785nm excitation with custom wavelengths available. The shaft is made from Stainless Steel 316L which is threaded and detachable from the probe's head. Using state-of-the-art telecom packaging techniques (patent pending) and optimized optical lenses, the excitation laser emits from the probe end and Raman signal from the sample is collected back through the probe's end.

Highlights:

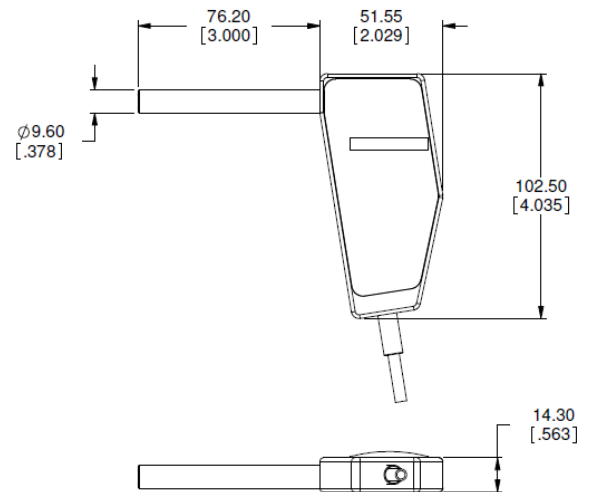
- Optimized Optical Design
- State-of-the-art Telecom Packaging
- High Throughput
- Excellent Long-term Stability

Specifications:

Fiber for Excitation	105µm core with FC/PC connector
Fiber for Collection	200µm core with SMA 905 male connector
Fiber Length	1.5 meter
Excitation Wavelength	532nm for BAC100-532 (place order as BAC100-532) 785nm for BAC100-785 (place order as BAC100-785) Other excitation wavelength options are available
Laser Blocking	OD6 default, OD8 optional
Shaft Diameter	3/8" (9.5 mm) diameter
Shaft Material	Standard stainless steel 316L; optional Hastelloy C, Titanium
Shaft Length	3" (76.2mm)
Window Material	Flat quartz, Optional flat sapphire and sapphire ball
Seal Material	For Lab, epoxy sealed For process, Kalrez O-ring or customer specified
Sample Lens Focal Distance	8.1mm
Working Distance	5.90mm
Spot Size at Sample Surface	85µm
Maximum Pressure	Lab Version: 30 PSI; Process Version: 150 PSI
Maximum Temperature	Lab Version: 80°C; Process Version: 150°C, at tip of the probe

Dimensions:

Probe (mm):



Distance Regulator (inches):

