

Spectrometer Accessory **BFH105 Inline Filter Holder**



BFH105 inline filter holders are designed for fiber coupling and ease of handling. It can hold up to three standard \varnothing 1in x 5mm filters (not included). The holder has two SMA 905 fiber connections and can be used with any B&W Tek array spectrometers and BDS or BPS light sources.

Highlight:

- Fiber Coupled
- Holds three \varnothing 1in x 5mm filters
- Can be used under ambient light
- Mounting Holes

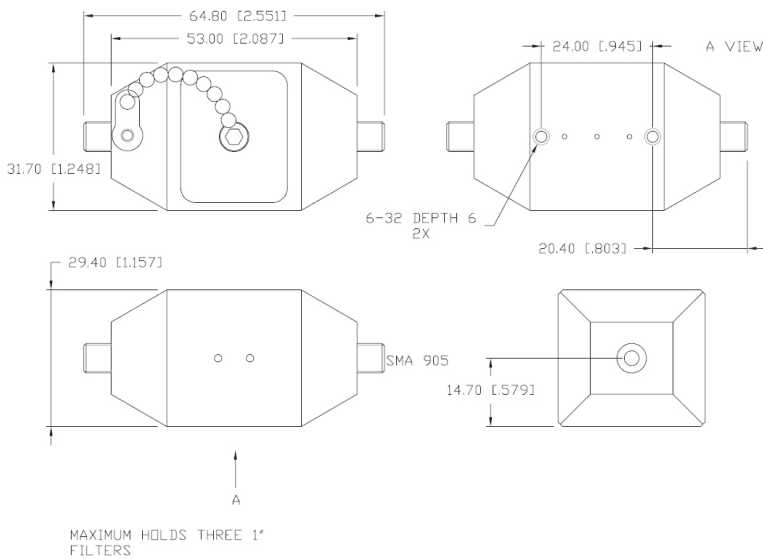
Applications:

- Wavelength Filtering
- Optical Filter Characterization

Specifications:

Filters Holdable:	Three
Fiber Coupler:	SMA905
Maximum Filter Size:	\varnothing 1in x 5mm or 1in x 1in x 5mm
Wavelength Spectral Range:	200 - 2400nm
Transmission:	> 60% without filter
Beam Spot:	\varnothing 5.5mm
Number of Ports:	Two
Fiber Length Coupling:	Two SMA 905
Operating Temperature:	0 - 70°C
Relative Humidity:	0 - 85% RH non condensing

Dimensions (mm):



Transmission / Absorption Experiment Setup

