

BIS1.5 Fiber Coupled Integrating Spheres



BIS1.5 series products are compact fiber coupled integration spheres.

The sphere is machined from PTFE which is highly reflective (99% from 400-800nm) and Lambertian over the broad spectral range of 250-2500nm.

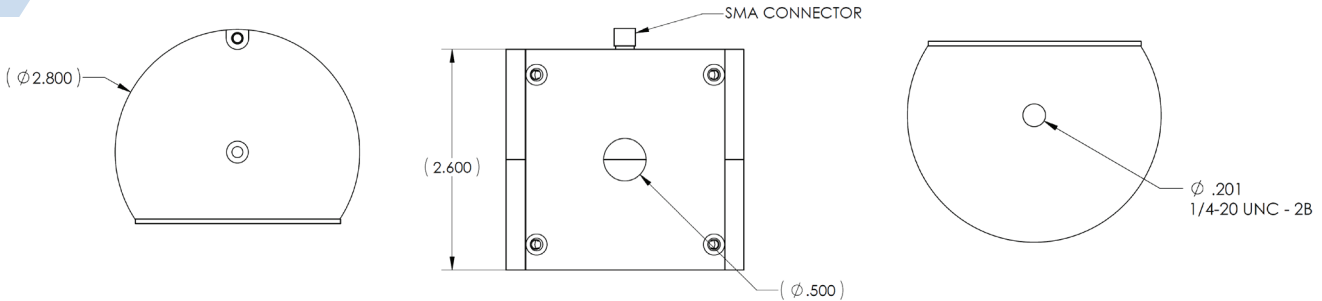
Applications:

- Optical power measurement
- Diffused transmittance measurement
- LD and LED measurement

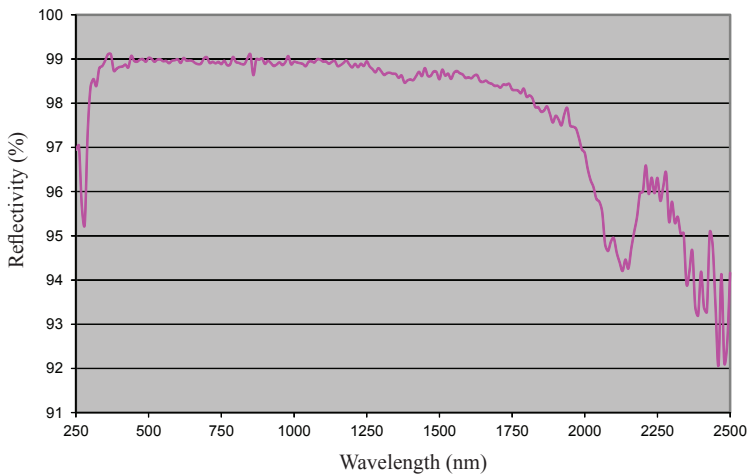
Highlights:

- High reflectivity > 97% over most of 250-2500 nm
- Compact size
- Fiber coupled
- Custom configurations available

Dimensions (inches):



PTFE Reflectivity:



Experiment Setup

